

HG SERIES 68 KNIFE GATE VALVE



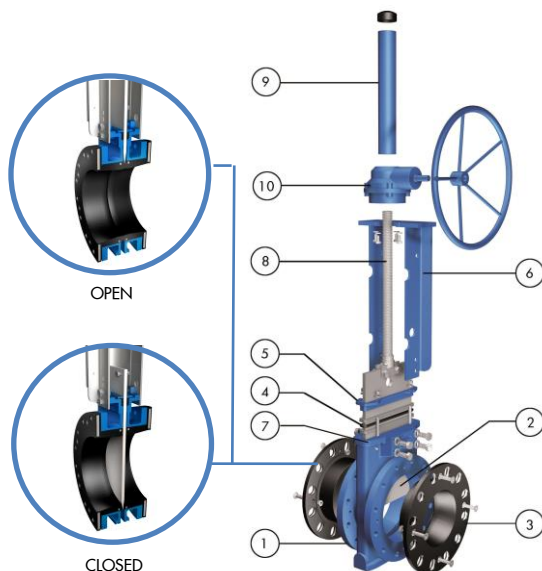
The SERIES 68 (HG) model knife gate valve is a full flanged heavy duty valve equipped with two metal reinforced rubber sleeves designed for use in the handling of abrasive slurries, mainly in industries such as Mining, Chemical Plants, Power Plants, Wastewater Treatment Plants, etc.

Product description:

- Bi-directional full flanged heavy duty knife gate valve
- Size range of DN 3"-36" (larger sizes upon request). See Dimension Charts for pressure rating
- Rising stem
- Standard flange connection: DIN PN25 (EN 1092-2) and ANSI B16.5 (class 300)
Others available upon request
- Manual (handwheel and bevel gear), pneumatic (single and double-acting), electric and hydraulic actuation options available
- Directives: 2006/42/EC (MACHINERY), 2014/68/EU (PED) Fluid: Group 1(b), 2 (Cat. II. mod. A2) and 2014/34/EU (ATEX) when applicable

Features:

- Full flange cast monoblock body with two machined lateral openings where the sleeves fit perfectly. Grease nipples to lubricate the gate are standard
- Open at the bottom for draining purposes, also available with covers or splash guards
- Rectangular shaped stainless steel gate, polished both sides to reduce friction and avoid seat damage
- Metal reinforced rubber sleeve seats, designed to allow maximum flexibility and minimum effort during gate travel
- Conventional leak proof packing
- RAL-5015 blue epoxy-coating on all cast iron/carbon steel components
- Automated valves provided with gate guards in accordance with EU Safety Standards. Only in EU
- Other options: open-closed lockout system, flush ports, special materials, fabricated valves, gate coatings, etc.
- Actuation accessories: limit & proximity switches, mechanical stops, solenoid valves, manual overrides, fail safe systems, stem extensions and floor stands



STANDARD PARTS LIST

Part	Materials
1 Body	Ductile iron A536 (60-40-18) / Carbon Steel S275JR
2 Gate	AISI 304 (1.4301) + Chrome / Duplex 2205 + Chrome
3 Sleeves	Natural rubber / EPDM
4 Packing	PTFE Impreg. Synth. Fibre (with a EPDM O-Ring)
5 Gland Follower	A570 GR.40 / 1.0044 Epoxy coated
6 Yoke	A570 GR.40 / 1.0044 Epoxy coated
7 Grease Nipple	Zinc coated carbon-steel
8 Stem	Stainless Steel
9 Stem protector	A570 GR.40 / 1.0044 Epoxy coated
10 Bevel Gear	-

* Refer to full catalogue for complete details

HG SERIES 68 KNIFE GATE VALVE

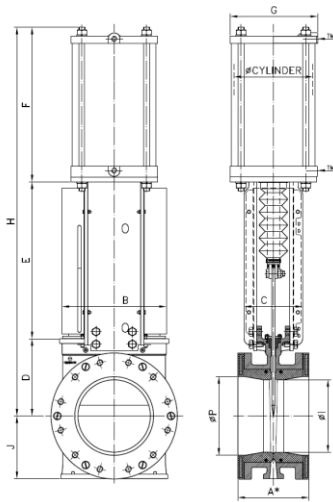
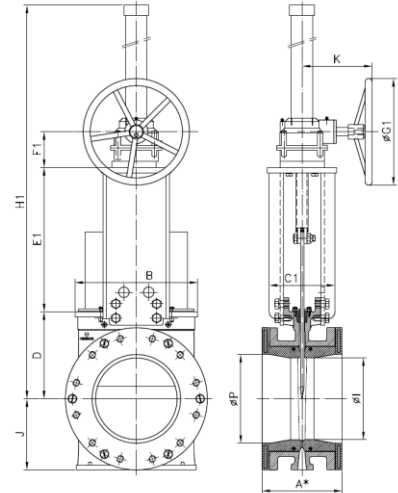


DIMENSIONS Hand operated Rising Stem

DN(“)	Pressure	Gear	A1*	A2*	B	C	D	E	F	ØG	H	J	K	ØP	ØI
3”	300 psi	-	6.88	7.20	6.89	4	4.88	6.89	2.63	8.86	21.45	3.54	-	2.83	2.44
4”	300 psi	-	6.88	7.20	6.70	4	5.52	8	2.63	12.20	24.40	3.93	-	4	3.34
6”	300 psi	FL0.4	7	7.32	9.05	6.50	6.89	10.35	3.30	12	29.72	5.11	10.35	5.83	5.39
8”	300 psi	FL0.4	7.24	7.55	11.02	6.50	8.07	12.68	3.30	12	36	6.30	10.35	7.76	6.89
10”	300 psi	FL0.4	8.88	9.17	13.18	7.28	9.64	15.62	3.30	12	59.44	7.87	10.35	10	9.05
12”	300 psi	FL0.4	10.11	10.39	15.37	10.47	11.02	17.36	3.30	18	62.60	9.13	10.35	11.50	10.75
14”	300 psi	FL0.4	10.11	10.39	17.32	10.63	12.79	20	3.30	18	66.93	10.15	10.35	13.27	12.52
16”	300 psi	FL0.4	11	11.29	19.88	10.63	14	22.32	3.30	18	70.07	11.50	10.35	14.77	14.01
18”	300 psi	FL1.6	12.24	12.55	22.04	10.63	16.53	24.84	4.01	18	85.63	12.51	10.35	16.73	14.88
20”	300 psi	FL1.6	14.13	14.44	24.40	10.63	18.19	28	4.01	25.60	90.74	13.58	10.35	18.50	16.54
24”	300 psi	FL1.6	14.62	14.96	28.74	10.63	20.08	31.69	4.01	25.60	99.21	16	10.35	23.03	21.22

A1*: installed face to face

A2*: minimum required dimension for installation



DIMENSIONS Pneumatic Actuator (D/A)

DN(“)	Pressure	A1*	A2*	B	C	D	E	F	G	H	J	ØP	ØI	Standard Cyl.	TM
3”	300 psi	6.88	7.20	6.88	4	4.88	6.88	10.23	6.89	22.01	3.50	2.83	2.44	C5”-4.49”	1/4”
4”	300 psi	6.88	7.20	6.69	6.50	5.52	7.79	11.02	8.66	24.33	4	4	3.34	C6.30”-5.51”	1/4”
6”	300 psi	7	7.32	9.05	7.28	6.89	10.43	13.58	10.90	30.90	5.12	5.83	5.39	C8”-8”	3/8”
8”	300 psi	7.24	7.55	11.02	10.47	8.07	12.67	16.53	15.04	37.28	6.30	7.76	6.89	C10”-9.92”	3/8”
10”	300 psi	8.75	9.17	13.19	10.63	9.64	16.33	19.88	17.48	45.87	8	10	9.05	C12”-12.32”	1/2”
12”	300 psi	10.11	10.39	15.35	10.63	11.02	18.58	22.83	20.27	52.44	9.14	11.50	10.75	C14”-14.13”	3/4”
14”	300 psi	10.11	10.39	17.32	10.63	12.79	21.85	27.95	17.48	62.59	10.15	13.27	12.52	C16”-16.46”	3/4”
16”	300 psi	11	11.29	19.88	10.63	13.77	23.81	29.92	17.48	67.51	11.50	14.77	14.01	C16”-18.30”	3/4”

A1*: installed face to face

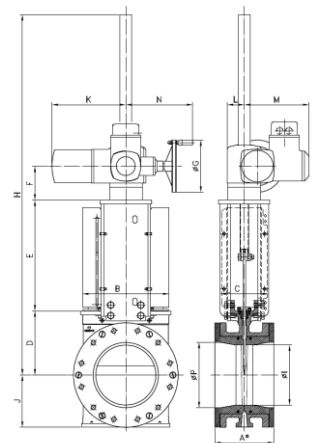
A2*: minimum required dimension for installation

DIMENSIONS Electric Actuator Rising Stem

DN(“)	Pressure	A1*	A2*	B	C	D	E	F	ØG	H	K	J	L	M	N	ØP	ØI	Torque (ft.LBS)
3”	300 psi	6.88	7.20	6.88	4	4.88	6.89	17.40	6.30	40	10.43	3.54	2.44	9.37	9.80	2.83	2.44	22,2
4”	300 psi	6.88	7.20	6.69	4	5.52	7.80	18.93	6.30	40.74	10.43	3.93	2.44	9.37	9.80	4	3.34	29,50
6”	300 psi	7	7.32	9.05	4	6.89	10.43	22.95	6.30	44.68	10.43	5.11	2.44	9.37	9.80	5.83	5.39	55,32
8”	300 psi	7.24	7.55	11.02	6.50	8.07	12.67	26.85	7.87	49.02	11.10	6	2.55	9.76	10	7.76	6.89	110,63
10”	300 psi	8.75	9.17	13.19	7.28	9.64	16.33	31.10	7.87	54.25	11.10	8	2.55	9.76	10	10	9.05	206,51
12”	300 psi	10.11	10.39	15.35	10.47	11.02	18.58	34.72	7.87	57.87	11.10	9.13	2.55	9.76	10	11.50	10.75	239,70
14”	300 psi	10.11	10.39	17.32	10.63	12.79	21.85	41.53	12.40	65.24	15.15	10.15	3.58	11.25	13.23	13.27	12.52	265,52
16”	300 psi	11	11.29	19.88	10.63	13.77	23.81	44.49	12.40	68.19	15.15	11.49	3.58	11.25	13.23	14.77	14.01	368,78
18”	300 psi	12.24	12.55	22.04	10.63	16.53	26.65	50.07	12.40	77.71	15.15	12.51	3.58	11.25	13.23	16.73	14.88	442,48
20”	300 psi	14.13	14.44	24.41	10.63	18.19	29.21	54.29	16	97.67	15.15	13.58	3.58	11.25	13.35	18.50	16.54	516,29
24”	300 psi	14.62	14.96	28.74	10.63	20.08	33.19	60.15	16	103.54	15.15	16	3.58	11.25	13.35	23.03	21.22	700,68
30”	300 psi	15.57	15	36.61	12.60	23.81	43.90	75.98	20	120.20	20.08	20.27	4.61	11.93	14.37	29.02	26.77	1098,96
32”	300 psi	18.50	18.89	40.94	18.90	27.16	48.03	82.09	20	126.30	20.08	22.64	4.61	11.93	14.37	31.02	28.31	1327,61
36”	300 psi	18.50	18.89	45	19.09	29.92	53.94	89.96	20	134.17	20.08	24.41	4.61	11.93	14.37	35	31.88	1843,91

A1*: installed face to face

A2*: minimum required dimension for installation



ООО «ТИ-СИСТЕМС» ИНЖИНИРИНГ И ПОСТАВКА ТЕХНОЛОГИЧЕСКОГО ОБОРУДОВАНИЯ

Интернет: www.tisys.ru www.tisys.kz www.tisys.by www.tesec.ru www.ти-системс.рф

Телефоны: +7 (495) 7774788, 7489626, (925) 5007155, 54, 65 Эл. почта: info@tisys.ru info@tisys.kz info@tisys.by